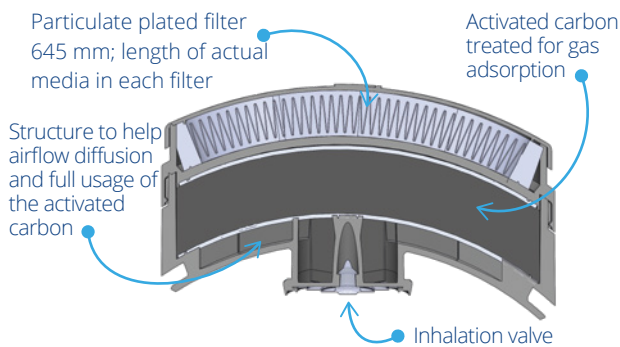


# ELIPSE® HALF-FACE MASK + HESPA® A1P3 DUST (R) Filters



### Standards

EN140: 1998 Mask Body  
EN14387: 2004 + A1: 2008 A1P3 R D  
(suited for organic gases and dust)  
CE 0194

### Efficiency

P3 >99,95% for 0,3 µm particulate  
At 1000 ppm:  
A1 >70 minutes cyclohexane (C<sub>6</sub>H<sub>12</sub>)

### Shelf Live

3 years (mask & filters) See storage conditions on Instructions for Use.  
Filters are re-usable and changeable.

### Material

- **Mask:** Medical grade TPE Conforms to ISO 10993-10: 2010 for irritations. Mask body latex and silicone free, odour free. Valve Body in Nylon, Inhalation/Exhalation diaphragm in Silicone. 4 point adjustable elasticated head and neck strap with comfort pad in TPE.
- **Gas Filters:** Activated carbon sealed into a ABS Shell.
- **Particulate filters:** Mechanical type multi-layer HESPA Synthetic media with TPE flexible overmolded / encapsulated. Particulate filters are integrated permanently with the carbon element.

### Production

United Kingdom  
100% of filters NaCl Tested

	Code	Description	Quantity
	SPR338 (S/M) SPR503 (M/L)	Elipse Half Mask complete with A1P3 filters	10 pcs. per box
	SPR341	Elipse A1P3 replacement filters	10 sets of 2 pcs. per box
	SPM008	Elipse Low Profile Mask Carry Case (Belt holder)	10 sets per box
	SPM414	Portacount Face Fit Kit adaptor	10 sets per box
	SPM420	Kit of Prefilter Kits - 2 holder and 10 pads	10 kits per box
	SPM421	Kit of Prefilter - 20 pads	10 kits per box

## Applications - Organic gases, dust, mist and fumes

### Welding



Metal Fumes and Dust in confined space (gas welding)

### Construction



Paint, Moulds.

### Car & Ship Repair



Epoxide, Paint, Solvents

### Manufacturing



Solvents, various Organic Gases

### Agriculture



Pesticides